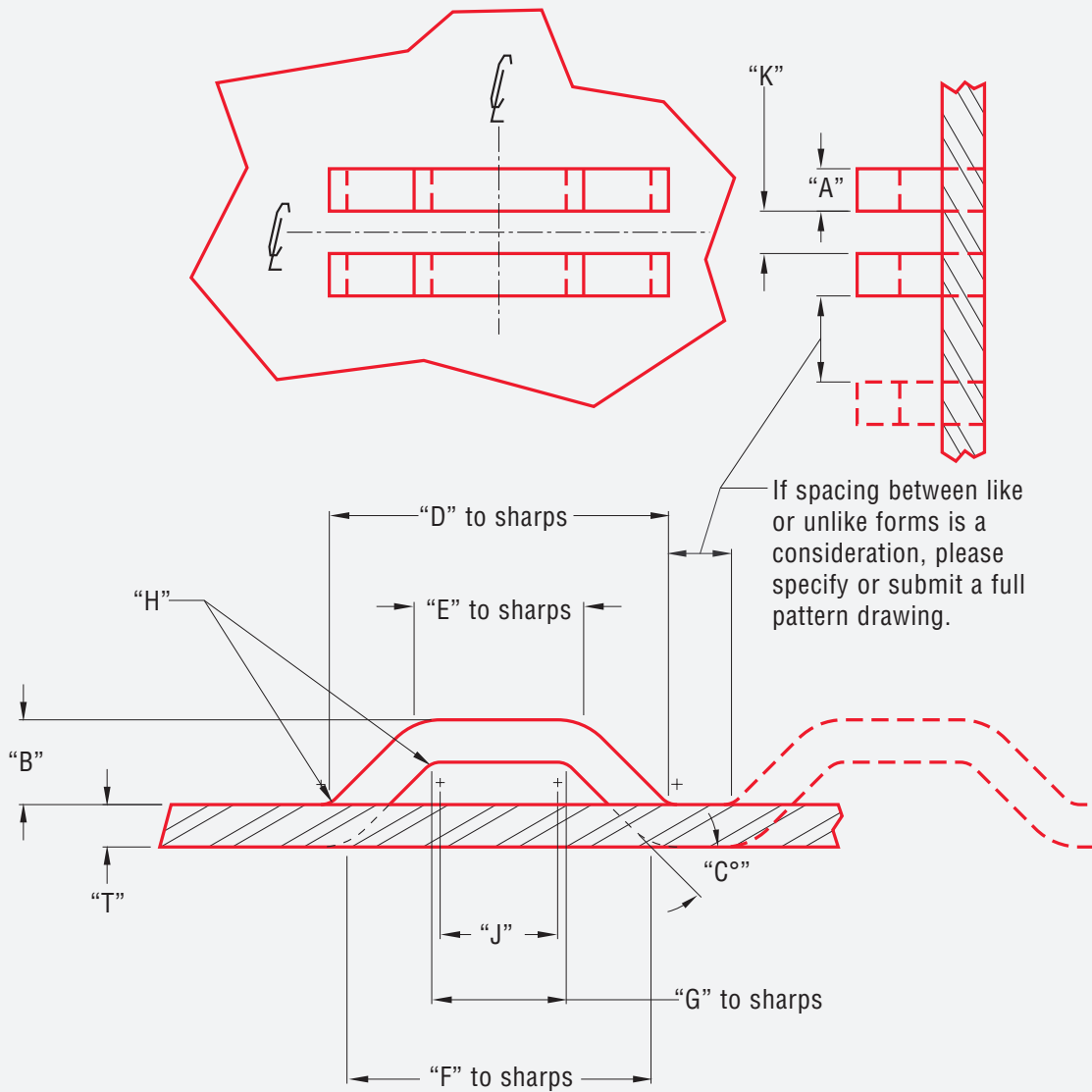


# LANCE AND FORM DOUBLE BRIDGE (CARD GUIDE)

TOOL CODE FB

22

ORDERING SPECIFICATIONS



## TOOL INFORMATION

Not all of the dimensions shown below are required. Fill in the critical dimensions and a Mate representative will contact you if more information is required.

A _____	F _____
B _____	G _____
C° _____	H _____
D _____	J _____
E _____	K _____

## GENERAL INFORMATION

Material Type \_\_\_\_\_

Material Thickness "T" \_\_\_\_\_

Machine Type \_\_\_\_\_

Tooling Style \_\_\_\_\_

Tooling Station \_\_\_\_\_

Dimensions filled in by \_\_\_\_\_

Approved By \_\_\_\_\_

° indicates DEGREES

