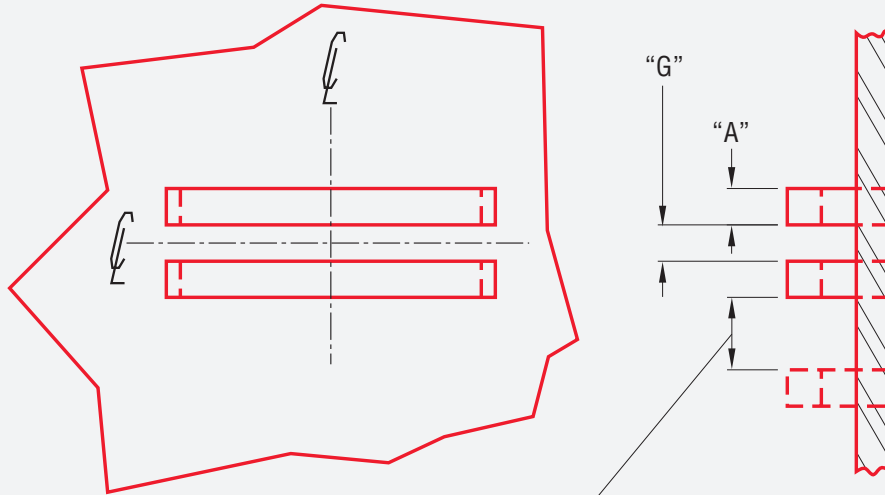
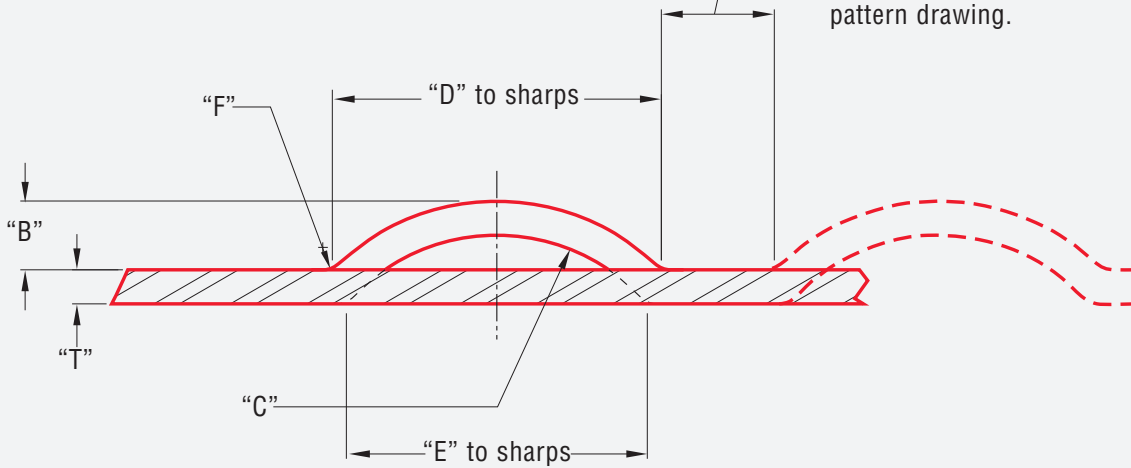


LANCE AND FORM DOUBLE BRIDGE RADIUSED (CARD GUIDE)

TOOL CODE FV



If spacing between like or unlike forms is a consideration, please specify or submit a full pattern drawing.



TOOL INFORMATION

Not all of the dimensions shown below are required. Fill in the critical dimensions and a Mate representative will contact you if more information is required.

A _____ F _____
 B _____ G _____
 C _____
 D _____
 E _____

GENERAL INFORMATION

Material Type _____
 Material Thickness "T" _____
 Machine Type _____
 Tooling Style _____
 Tooling Station _____
 Dimensions filled in by _____
 Approved By _____

